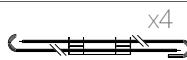
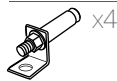
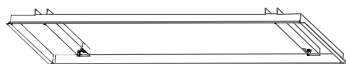
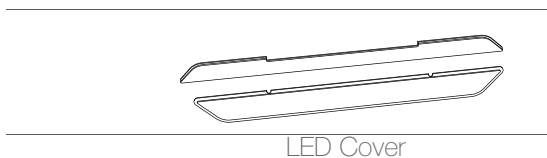
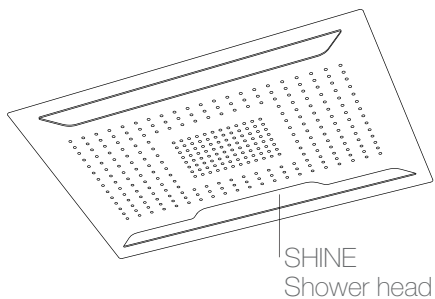


SHINE
RAIN SHOWER
QUICK
GUIDE BOOK

Description

Check all the parts with the following parts list



x4

x4

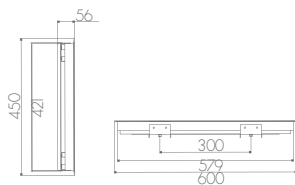
x4

Set anchor

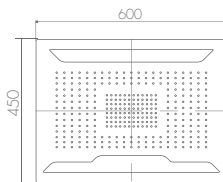
Ring

Bolt

Dimension



Side



YW450.002.CR

LED&Shine

• Code	YW450.002.CR
• Size	450X600mm
• Finish	Cr painting
• Origin	JoeyforLife/Korea

LED

Color variation

Mono color(RGB)



Chromo therapy

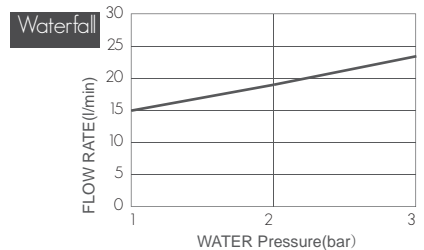
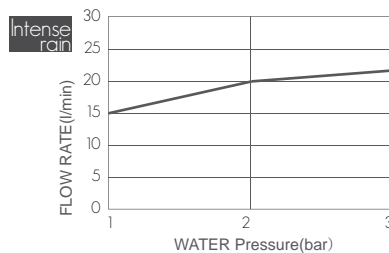
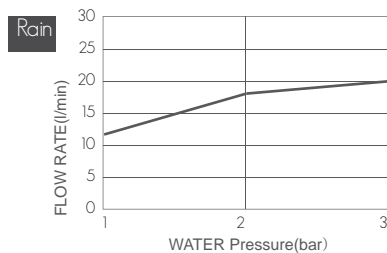


Flow Rate

(l/min)

water pressure	Rain shower	Intense rain	Waterfall
1 bar	12	15	15
2 bar	17	20	19
3 bar	20	22	24.2

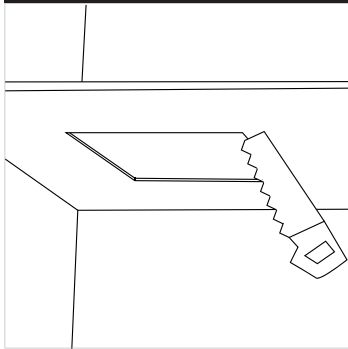
* Direct Connection Without tap



Installation

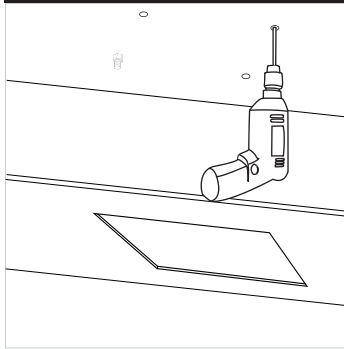
STEP1 _ Bracket

01



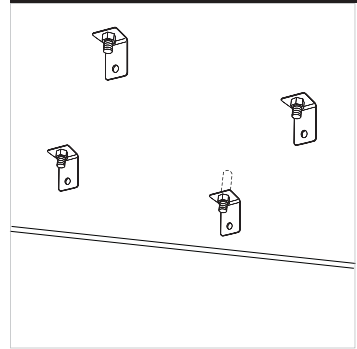
Cut the ceiling to install bracket.

02



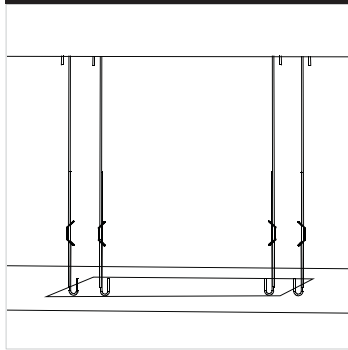
Drill the upper ceiling $\varnothing 12$ for anchor bolts

03



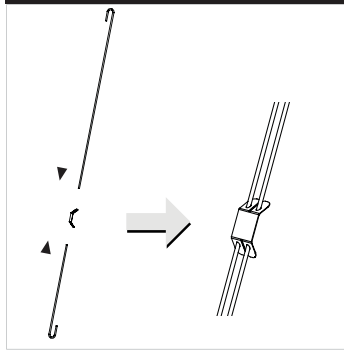
Insert the anchor bolts

04



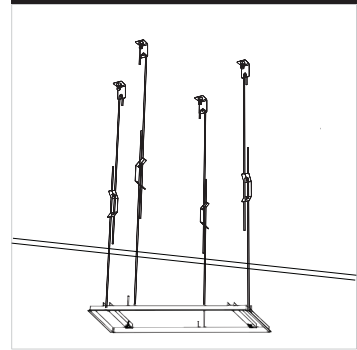
Connect rings to the bolts

05



Adjust the lengths of rings

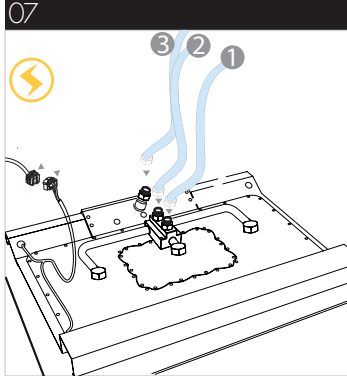
06



Hang the bracket to the rings

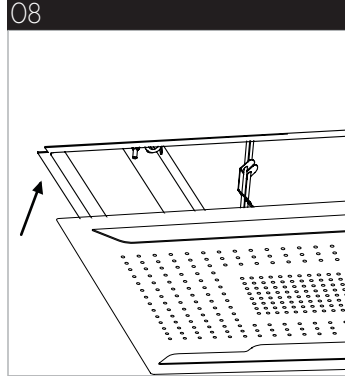
Installation2

STEP2 _ Head shower

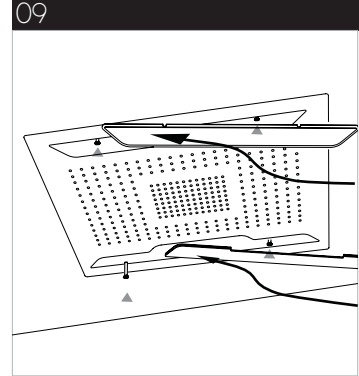


Connect water supply hose to the shower head and connect the power

- ① intense
- ② rain
- ③ waterfall



Push the shower head to the bracket



Fix the shower head with bolt

Cautions

- Avoid too much force for operation.
- Keep the hand hold shower on the shower arm.
- The recommended water pressure is over $2\text{kg}^2/\text{cm}^2$
- Clean the products with right materials
- Do not dismantle the products without manual